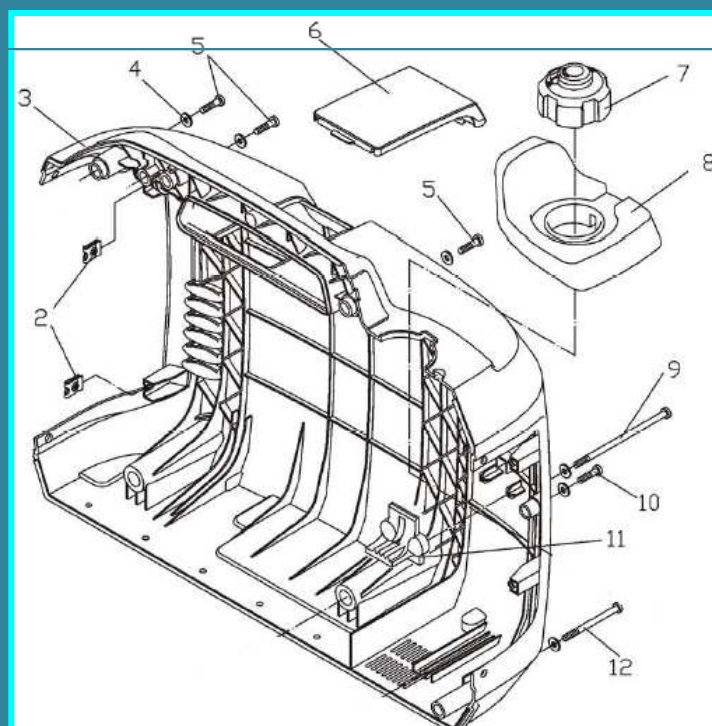
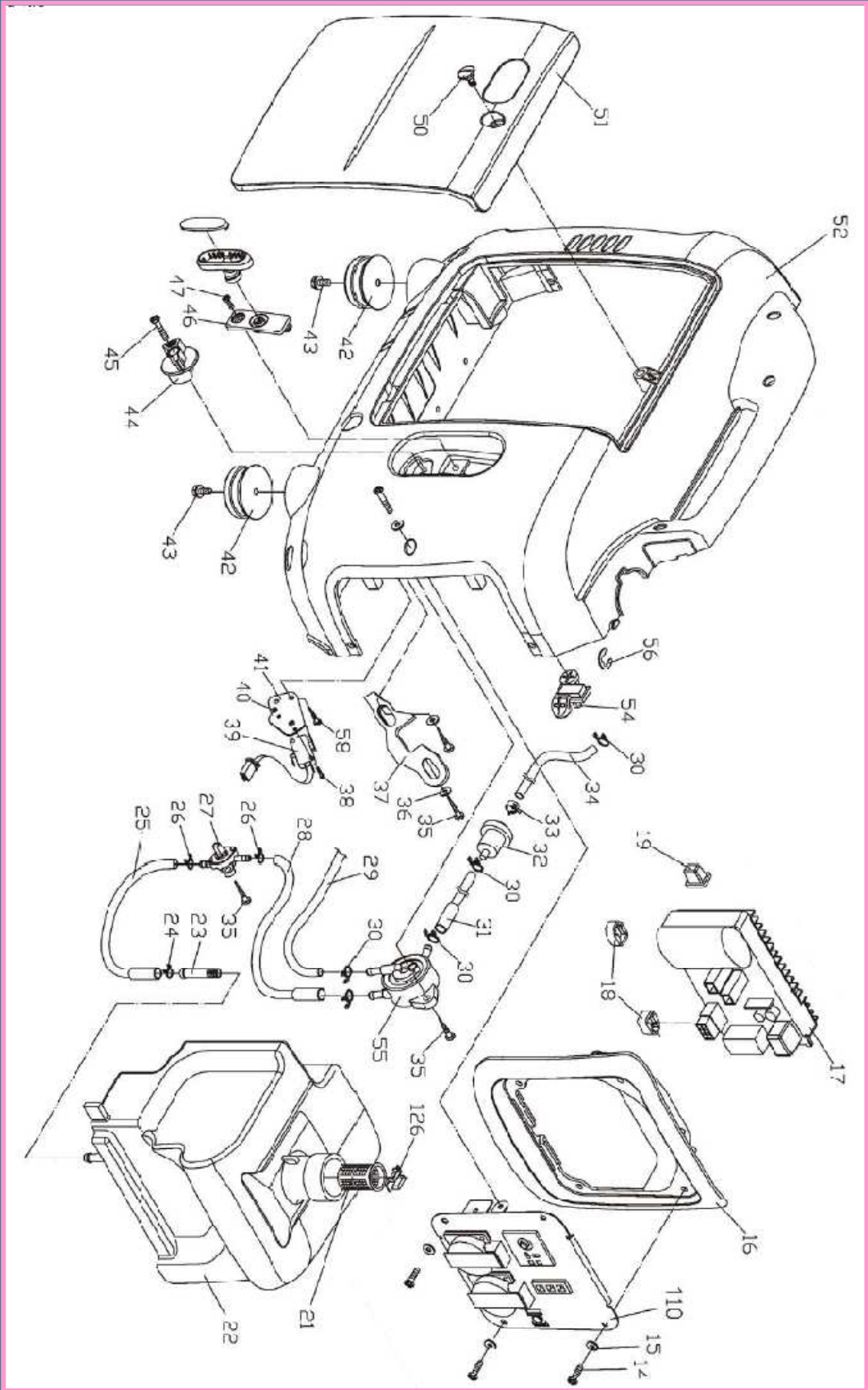


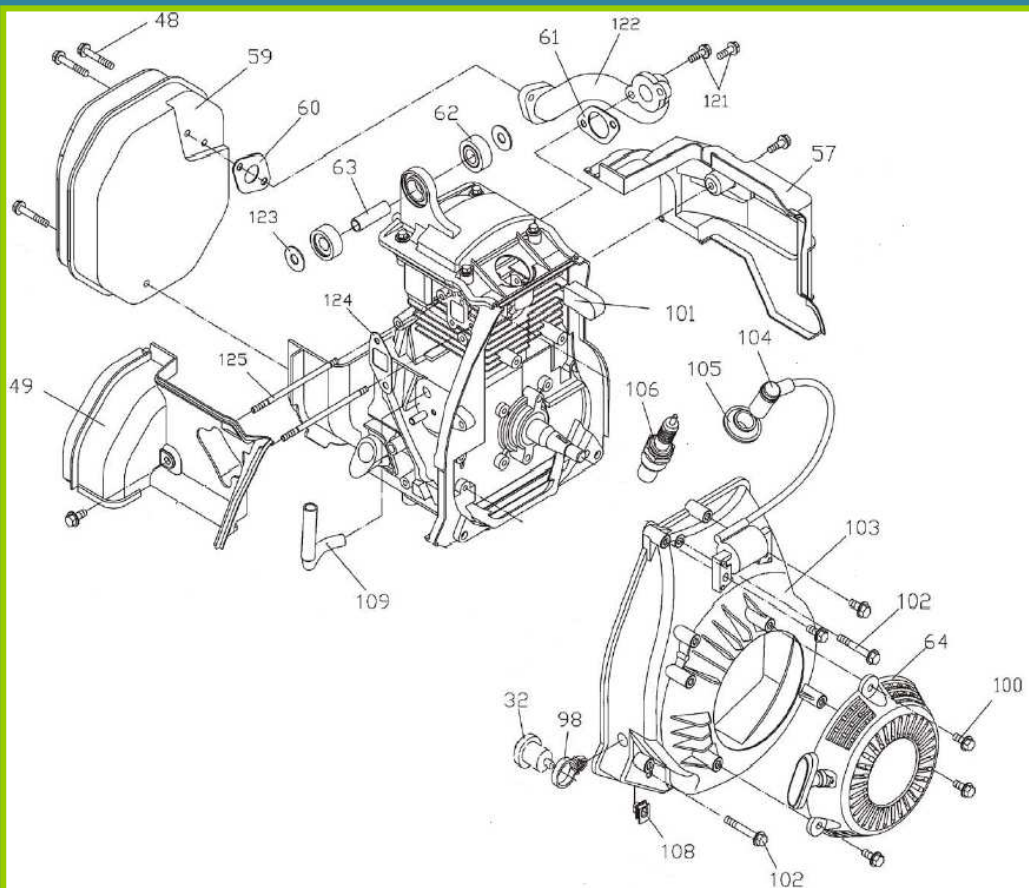
1	Gasoline engine	1
2	Rear case locking plug-in board	4
3	Right case and inlays (yellow)	1
4	Gasket6	4
5	Bolt M6x20	3
6	Top cover (yellow)	1
7	Fuel tank cover	1
8	Fuel filler washer	1
9	Bolt M6x125	2
10	Bolt M5x25	2
11	Cross type protective bracket of right case	1
12	Screw M6x72	1



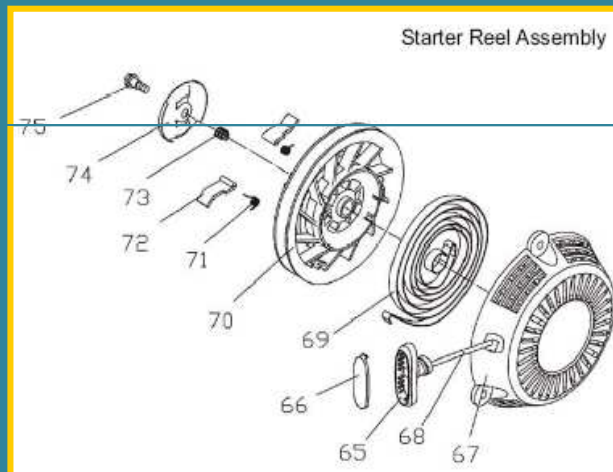
13	Control panel	1
14	Screw M5x10	4
15	Gasket 5	4
16	Front cover	1
17	Module(EU/110V)	1
	Module(EU/220V)	
18	Module damping washer	2
19	Square type rubber protective bracket	1
20	Rear case	1
21	Filter cup	1
22	Fuel tank	1
23	Strainer	1
24	Hoop $\phi$ 10	1
25	Fuel pipe I (switch to fuel tank)	1
26	Hoop $\phi$ 7	2
27	Fuel switch assembly	1
28	Fuel pipe II (switch to pump)	1
29	Air outlet pipe	1
30	Hoop $\phi$ 9	5
31	Fuel pipe IV(Pump-filter element)	1
32	Filter element	1
33	Hoop $\phi$ 9	1
34	Fuel pipe III(filter element-carburetor)	1
35	Screw ST4.8x20	5
36	Big gasket 5	2
37	Microswitch baffle plate	1
38	Screw M3x15	1
39	Microswitch	1
40	Nut M3	2
41	Microswitch fixing plate	1
42	Bottom washer	4
43	Bolt M6x10	4
44	Oil switch lever	1
45	Screw	1
46	Grip mounting base	1
47	Screw M5x12	1
50	Screw M6	1
51	Side lid (yellow)	1
52	Left case and inlays (yellow)	1
53	Rear case sealing strip	1
54	Cross type protective bracket of left case	1
55	Fuel vacuum pump	1
56	Open ring 9	1
58	Screw ST3.5x10	2



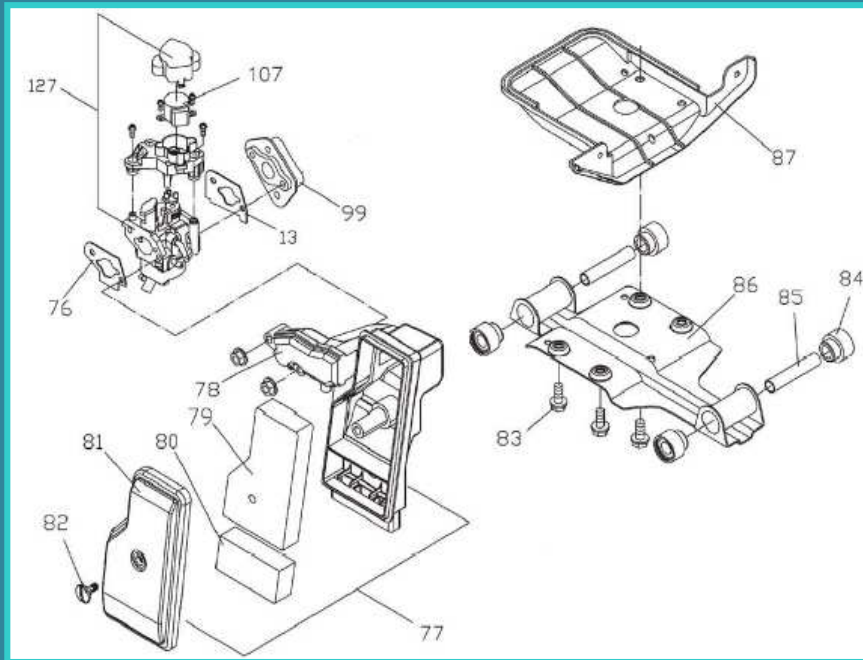
48	Bolt M6x70	1
49	Deflector on the inlett side	1
57	Deflector on the exhaust side	1
59	Muffler weldment	1
60	Muffler washer	1
61	Exhaust pipe washer	1
62	Bushing II	1
63	Short shaft	1
64	Manual starter assembly	1
98	element fixing clip	1
100	Bolt M6x16	3
101	Engine	1
102	Bolt M6x12	3
103	Fan case	1
104	Ignition coil	1
105	Damper bushing	1
106	Spark plug (BOSCH)	1
108	Cable outlet sealing washer	1
109	Air suction pipe	1
121	Bolt	2
122	Exhaust pipe	1
123	Gasket	2
124	Air inlet pipe washer	1
125	Carburetor stud	2



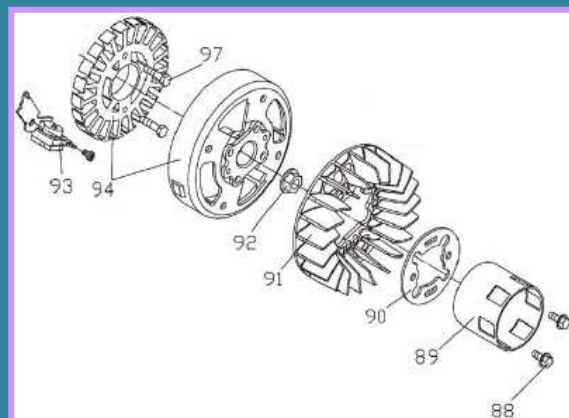
65	Starter grip1	1
66	Starter grip cover 1	1
67	Starter outcase assembly	1
68	Starting pulling rope	1
69	Recoil starter spring	1
70	Starter coiling reel	1
71	Ratchet spring	2
72	Ratchet	2
74	Ratchet guard plate	1
73	Friction spring	1
75	Locking bolt	1



76	Carburetor washer	1
77	Air intake system	1
78	Air cleaner case	1
79	Fine-cleaning element	1
80	Rough-cleaning element	1
81	Air cleaner cover	1
82	Locking screw	1
83	Bolt M8x25	4
84	Damper bushing	4
85	Hollow shaft	2
86	Fixing plate welment of engine	1
87	Lower air deflector	1
99	Carburetor insulator	1
107	Stepping motor	1
127	Carburetor assembly	1

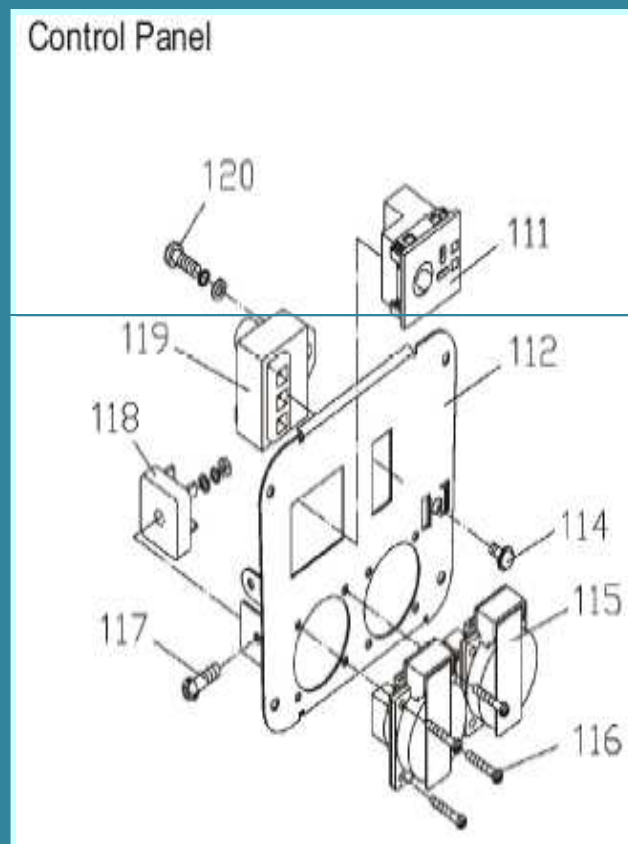


88	Bolt	2
89	Starting pulling reel	1
90	Impeller press board	1
91	Impeller	1
92	Flywheel nut	1
93	Tigger	1
94	Generator assembly	1
95	Generator rotor	1
96	Generator stator	1
97	Bolt M5x30	2



110	Control panel	1
112	Control panel board	1
111	DC receptacle	1
113	Smart-throttle switch	1
114	Screw M6x10	1
115	Europe type receptacle	2
116	Screw M4x10	8
117	Screw M5x20	1
118	Graz rectifier	1
119	Ignition controller	1
120	Screw M5x8	1
126	Oil indicator	1

### Control Panel



128	Motor bracket cover	1
130	Motor bracket	1
129	Bolt M4×10	2
131	Locating fork	1
132	Locating spring	1
133	Idle adjusting spring	1
134	Idle adjusting screw	1
135	Screw	1
136	Carburetor body	1
137	Needle valve	1
138	Seal ring	1
139	Float	1
140	Float fixing shaft	1
141	Float chamber outer shell	1
142	Seal ring	1
143	Locking screw	1
144	Seal ring	1
145	Oil drain screw	1

## Carburetor Assembly

