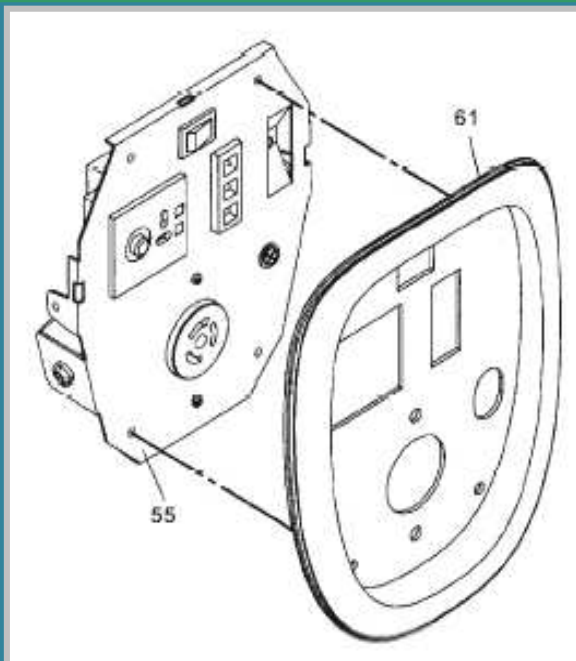
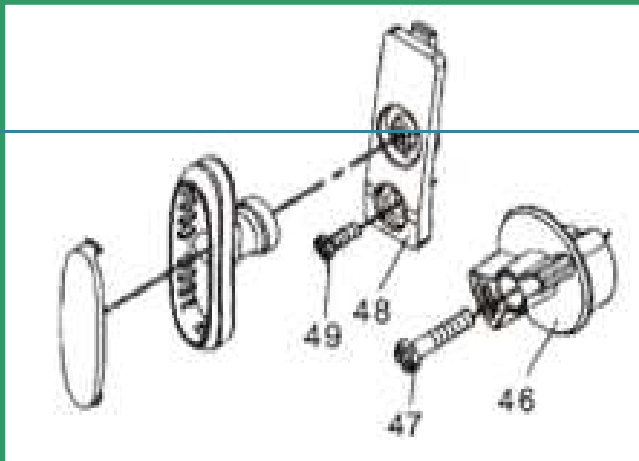
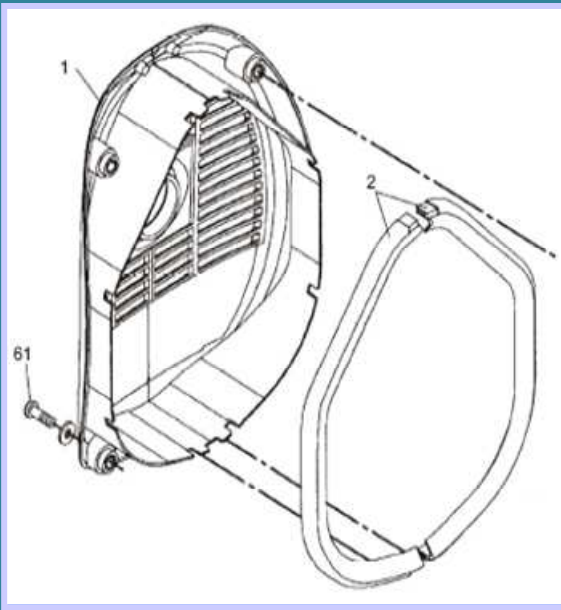
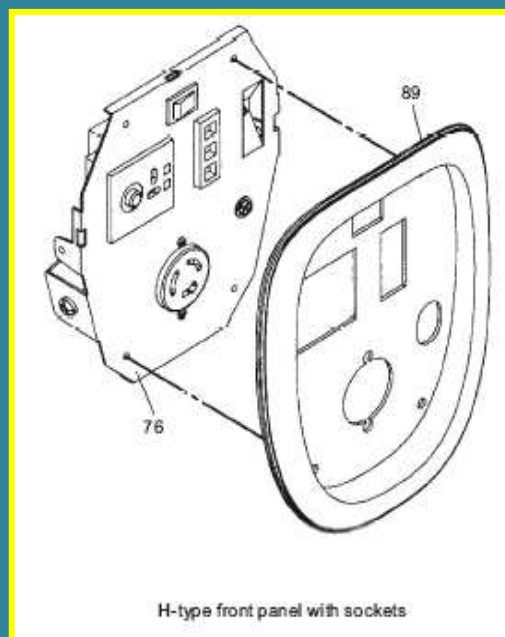
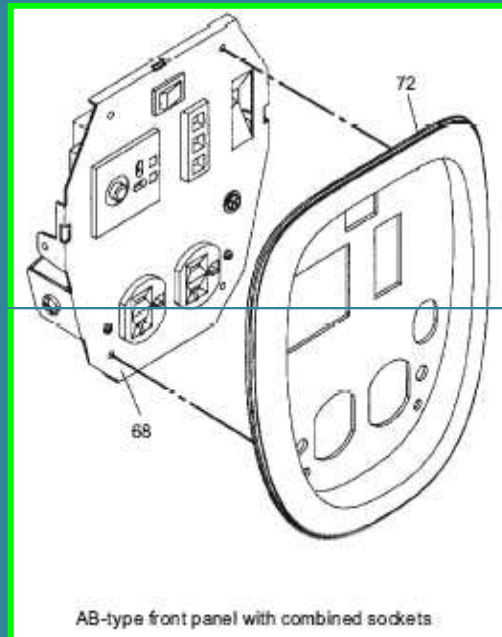
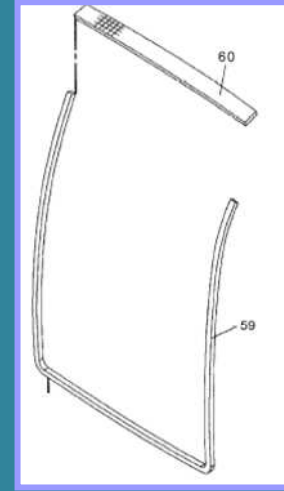


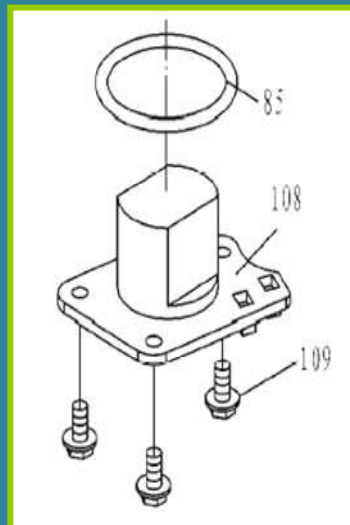
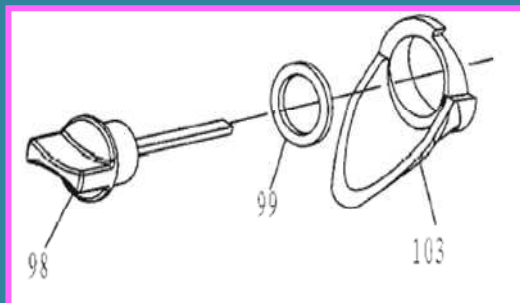
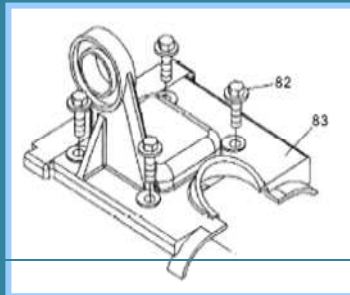
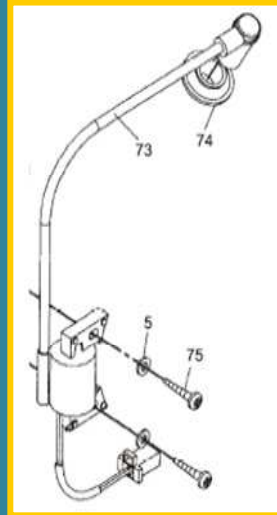
S/N	Description	Q'ty
1	Rear case	1
2	Seal strip	1
3	Back-cover fixing inserter of rear case	6
4	Right case (yellow)	1
5	Gasket6	8
6	H-type plus screw M6x20	3
7	Right case coping (yellow)	1
9	Hexagonal flange bolt M6x25	1
10	Protective sleeve	1
11	Cross type protective holder of right case	1
12	Bolt M6x105	2
13	H-type plus screw M5x25	2
14	Front case(E)	1
15	Gasket5	15
16	H-type plus screw M5x15	4
17	Filter cup	1
18	Fuel tank	1
19	Stainer	1
20	Clip $\phi$ 10	1
21	Fuel pipe I	1
22	Clip $\phi$ 7	2
23	H-type plus screw M6x16	1
24	Self-tapping screw ST4.8x20-C-H	5
25	Fuel valve assembly	1
26	Fuel pipe II	1
27	Air inlet pipe	1
28	Clip $\phi$ 9	3
29	Ground cable of engine mountings	1
30	Vaccum fuel pump	1
31	Fuel pipe III	1
32	Starter ratchet reel	1
33	Damping cushion	2
34	Inverter module(EU/110V)	1
	Inverter module(EU/220V)	
36	Starter handle cover	1
37	Electrical elements protect cover	1
38	Square type rubber protective frame	1



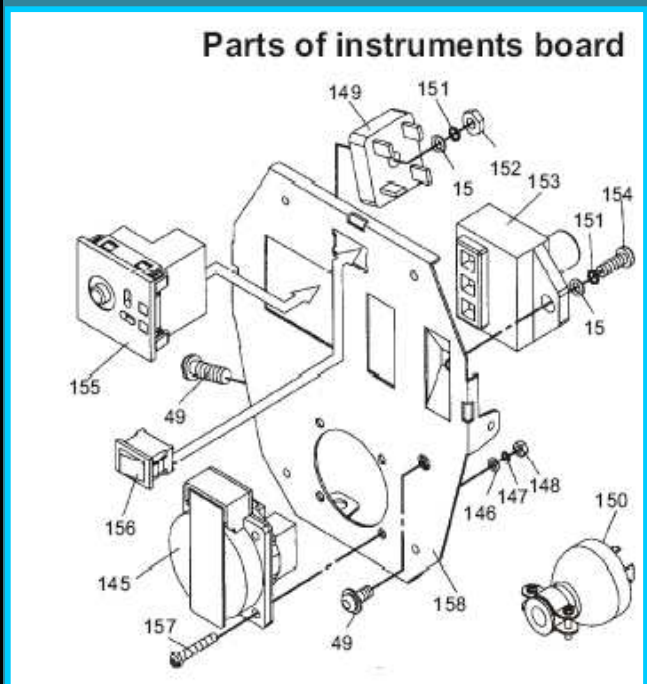
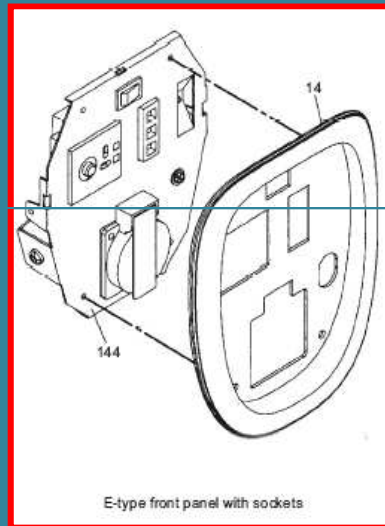
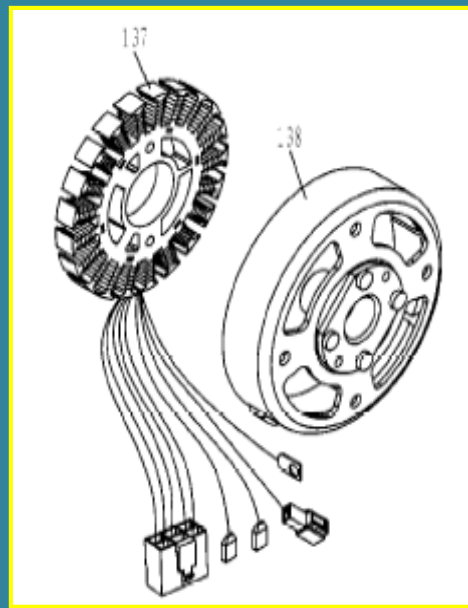
39	H-type plus screw M5x20	2
40	Cross type protective holder of left case	1
41	Left case (yellow)	1
42	Micro-active switch guarder	1
43	Damping cushion of the case bottom	4
44	Hexagonal flange bolt M6x10	7
45	Big gasket5	2
46	Oil switch lever	1
47	Screw	1
48	Fixing sleeve of starter handle	1
49	H-type plus screw M5x12	3
50	Starter handle	1
51	Left case lid (yellow)	1
52	Screw M6	1
53	Nut M3	7
54	Micro-active switch fixing plate	1
55	Control panel(A)	1
56	Self-tapping plus screw ST3.5x10-C-H	2
57	Micro-active switch	1
58	H-type plus screw M3x15	1
8	Sponge strip of right case coping	2
35	Sponge strip of front case	2
59	Sponge strip of left case lid(1)	1
60	Sponge strip of left case lid(2)	1
61	Front case(A)	1
62	Self-tapping plus screw ST4.8x15-C-H	1
63	Nylon fastener 4x200(with hole)	1
64	Air guide cover	1
67	Air cleaner cover	1
65	Clamp	2
66	Connecting pipe	1
68	Control panel(AB)	1
69	Element	1
70	Hexagonal flange nut M6	3
71	Hexagonal flange bolt M5x12	5
72	Front case(A)	1
73	Ignition winding	1
74	Damping sleeve	1
75	Self-tapping plus screw ST5.5x25-C-H	2
76	Control panel(H)	



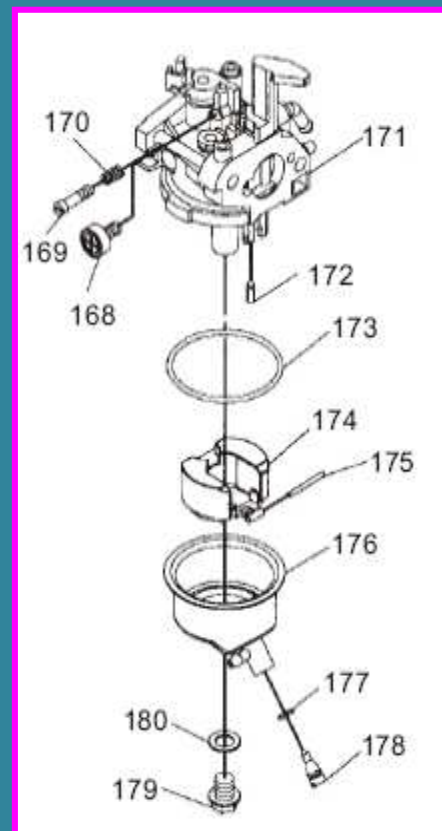
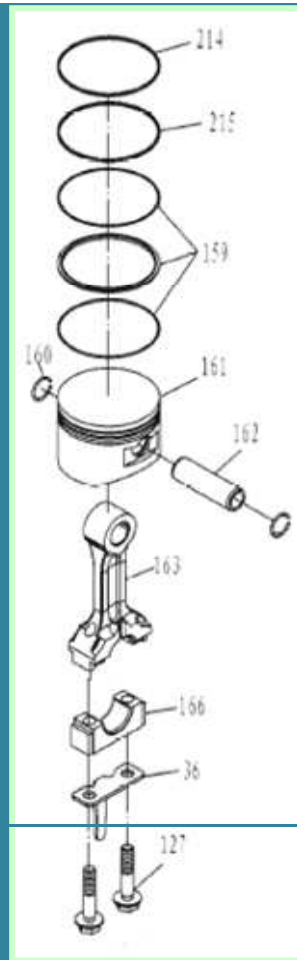
77	H-type plus screw M5x8	6
78	Cylinder head air guide plate(2) weldment	1
79	Gasket	6
80	Upper damping sleeve	2
81	Upper shaft bushing	1
82	Hexagonal flang bolt M5x20	6
83	Cylinder head cover	1
84	Upper hollow shalf	1
85	O-ring	1
86	Exhaust pipe	1
87	Exhaust pipe washer	1
88	Muffler washer	1
89	Front case(H)	1
90	Location spring	1
91	Muffler weldment	1
92	Hexagonal flang bolt M5x40	2
93	Hexagonal flang bolt M6x45	1
94	Air inlet pipe stud	2
95	Air inlet pipe washer	1
96	Heat shield of carburetor	1
97	O-ring I	1
98	Oil dipstick	1
99	Oil dipstick washer	1
100	Location fork	1
101	Wire clip	1
102	Fixing plate of wire clip	1
103	Oil dipstick sleeve	1
104	KG55 engine	1
105	Air guide cover stud(I)	2
106	Air guide cover stud(II)	1
107	Crankcase cover	
108	Oil alert system	1
109	Hexagonal bolt M5x15	3
110	Trigger 90A	1
111	H-type pluse screw M6x10	1
112	Air guide plate weldment of oil sump	1
113	Cylinder head air guide plate weldment (1)	1
114	Bracket cover of stepping motor	1
118	Stepping motor bracket	1
115	H-type pluse screw M3x8	1



116	Stepping motor	2
117	Carburetor insulator	1
119	Carburetor washer A	1
120	Carburetor washer	1
121	Oil seal 17×27×5	1
122	Air conduit pipe(I)	1
123	Clamp	1
124	Over-flow pipe	1
125	Tee pipe	1
126	Air conduit pipe(II)	1
127	Connecting rod bolt	1
128	Air inlet pipe	1
129	Air outlet pipe	1
130	Bleeding pipe	1
131	Lower damping sleeve	4
132	Lower hollow shaft	2
133	Mountings weldment of engine	1
134	Lower shaft bushing	2
135	Hexagonal flange bolt M6×16	3
137	Alternator stator	1
138	Alternator rotor	1
137	Hexagonal flange bolt M6×25	2
139	Hexagonal flange bolt M6×12	1
140	Flywheel nut M10	1
141	Impeller	1
142	Starter ratchet bracket	1
143	Hexagonal flange bolt M5×12	2
144	Control pane (E)	1
145	Fall-off proof receptacle	1
146	Gasket 4	4
147	Spring gasket 4	4
148	Thin nut M4	4
149	Graz rectifier	1
150	Fall – off proof plug	1
151	Spring gasket 5	2
152	Hexagonal flange nut M5	3
153	Ignition controller	1
154	H-type plus screw M5×8	1
155	DC receptacle(DC 12V,8.3A)	1
156	Throttle-master switch	1

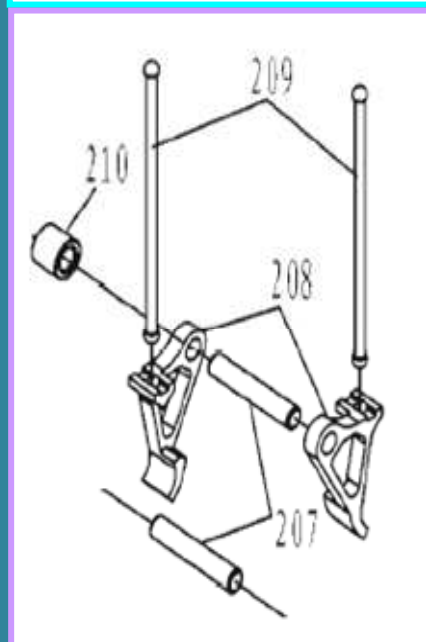
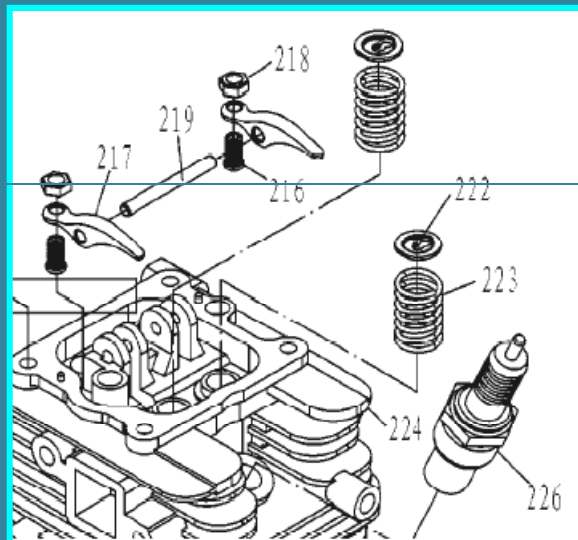
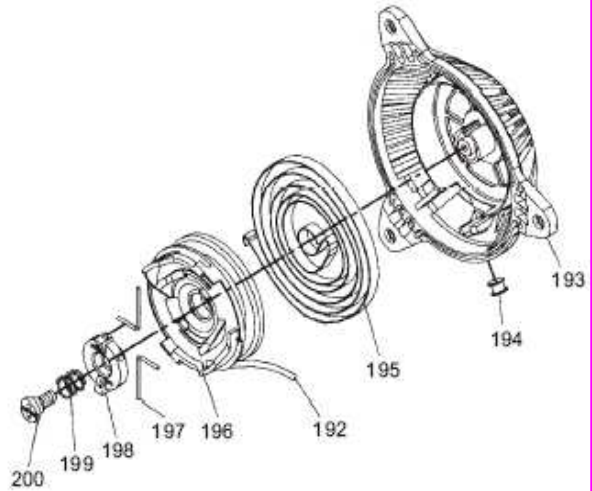


157	H-type plus screw M4x10	4
158	Control panel(E)	1
159	Oil ring assembly	1
214	First air ring	1
215	Second air ring	1
160	Retainer ring 10	2
161	Piston	1
162	Piston pin	1
163	Link lever body	1
166	Link lever cover	1
	Link lever bolt	2
164	Key	1
165	Crankcase	1
167	Carburetor assembly	1
168	Negative voltage screw	1
169	Idle screw	1
170	Idle spring	1
171	Carburetor body	1
172	Needle valve	1
173	Seal packing	1
174	Float	1
175	Fixing shaft of float	1
176	Outer case of float chamber	1
177	Seal packing	1
178	Drain screw	1
179	Set bolt	1
180	Seal packing	1
181	Fuel tank cover assembly	1
182	Garter spring of fuel tank cover	1
183	Gasket	1
184	Switch lever	1
185	O-ring	1
186	Fuel tank cover	1
187	Damping seal packing	1
188	Element	1
189	Bracket	1
190	Holding spring of fuel tank cover	1
191	Starter reel assembly	1
192	Rope	1
193	Bottom case of starter reel	1

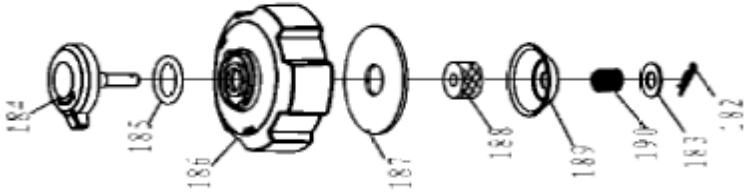


194	Knob cover	1
195	Recoil starter spring	1
196	Starter reel	1
197	Stop lever	2
198	Stop lever reel	1
199	Compression spring	1
200	Screw	1
201	Start lever	1
202	Crankcase rear cover	1
203	Washer	1
204	Oil distribution gear	1
205	Oil distribution gear bearing	1
206	Clip ring 4	1
207	Tappet shaft	2
208	Air valve tappet	2
209	Air valve pushing rod	2
210	Shaft bushing	1
211	Cam and driving gear	1
212	Crankshaft timing gear	1
213	Ball bearing 6203	2
216	Adjusting screw of air valve clearance	2
217	Air valve rocker arm	2
218	Adjusting nut of air valve clearance	2
219	Rocker arm shaft	1
220	Lactating pin of crankcase	2
221	Inlet conduit	1
222	Valve spring seat	2
223	Valve spring	2
224	Crankcase body	1
225	Inlet valve seat	1
226	Spark plug (BOSCH)	1
227	Locating pin of crankcase	2
228	Breathing plate	1
229	Press plate of breathing plate	1
230	H-type plus screw M3x5	1
231	Clip band 7	1
232	Exhaust conduit	1
233	Exhaust valve seat	1
234	Exhaust valve	1
235	Inlet valve	1

### Parts of hand-pulling wheel

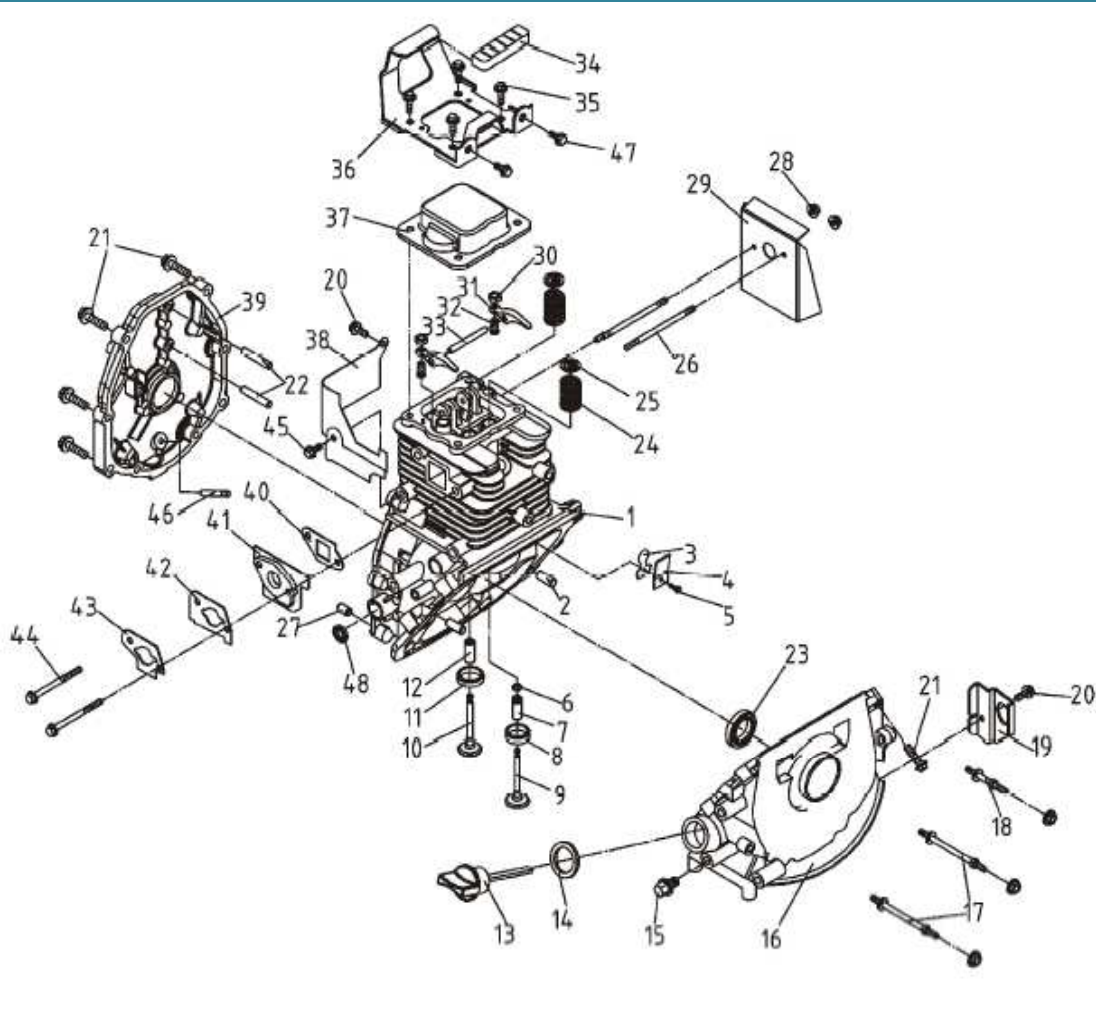


### Parts of Gasotinetank cover



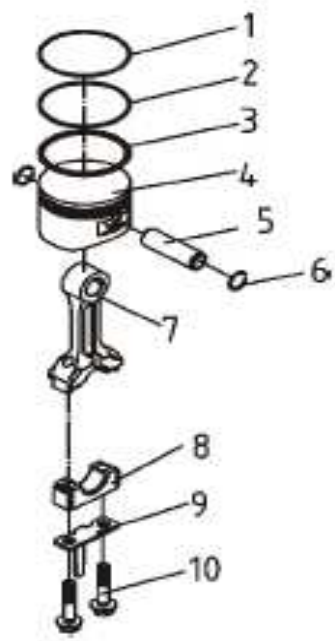
(1) CYLINDER BLOCK ASSEMBLY		
Ref No.	Description	Q'ty
0	CYLINDER BLOCK ASSEMBLY	
1	cylinder	1
2	crankcase cover locating pin	1
3	breather slice	1
4	pressure plate of breather slice	1
5	screw M3x5	1
6	retainer ring7	1
7	exhaust valve conduit	1
8	exhaust valve seat	1
9	exhaust valve	1
10	intake valve	1
11	inlet valve seat	1
12	inlet valve conduit	1
13	oil dipstick	1
14	washer of oil dipstick	1
15	oil drain screw	1
16	crankcase cover	1
17	air-induce cover stud(II)	2
18	air-induce cover stud(I)	1
19	engine switch support weldment assembly	1
20	bolt M5x16	3
21	bolt M5x20	15
22	tappet shaft	2
23	front oil seal of crank	2
24	valve spring	2
25	valve spring seat	2
26	exhaust pipe stud	2
27	locating pin of crankcase rear cover	2
28	Nut M5	5
29	heat insulator	1
30	valve clearance adjustment nut	2
31	valve rocker arm	2
32	valve clearance adjustment screw	2
33	rocker arm shaft	1
34	fuel tank cushion	1
35	bolt M5x12	6
36	fuel tank support weldment assembly	1
37	cyulinder head cover	1
38	air-induced plate	1
39	crankcase rare cover	1
40	air-inlet pipe washer	1
41	carburetor insulator	1
42	carburetor washer	1
43	carburetor wasehr A	1
44	air-inlet pipe bolt	1
45	bolt M5x10	1
46	governor shaft	1
47	bolt M6x20	2
48	nush rod oil seal	1





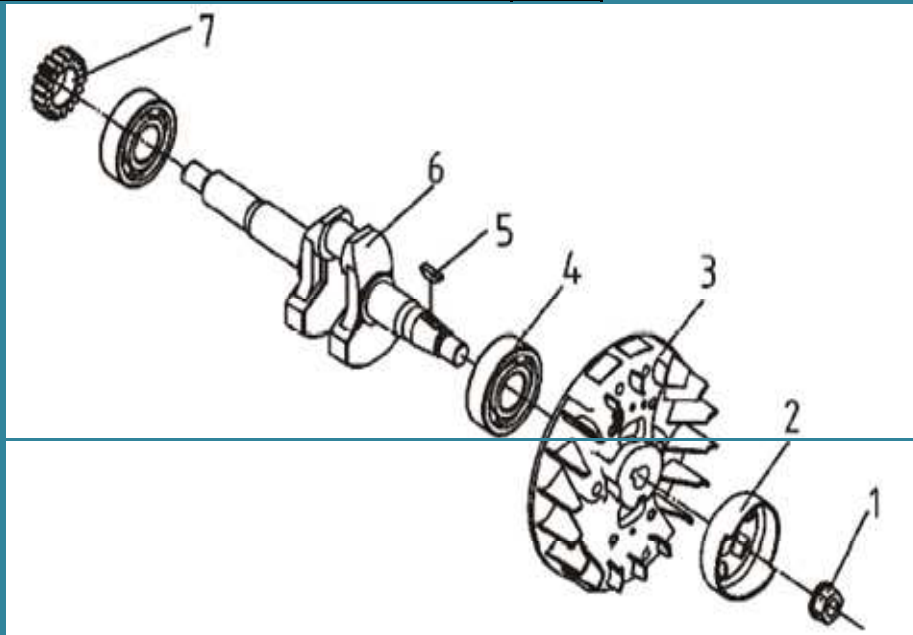
**<4> PISTON CONNECTING ROD ASSEMBLY**

Ref No	Description	Q'ty
0		
1	first air ring	1
2	second air ring	1
3	oil ring assembly	1
4	piston	1
5	piston pin	1
6	retainer ring 10	2
7	connecting rod block	1
8	connecting rod cover	1
10	connecting rod bolt	2
9	oil needle	1



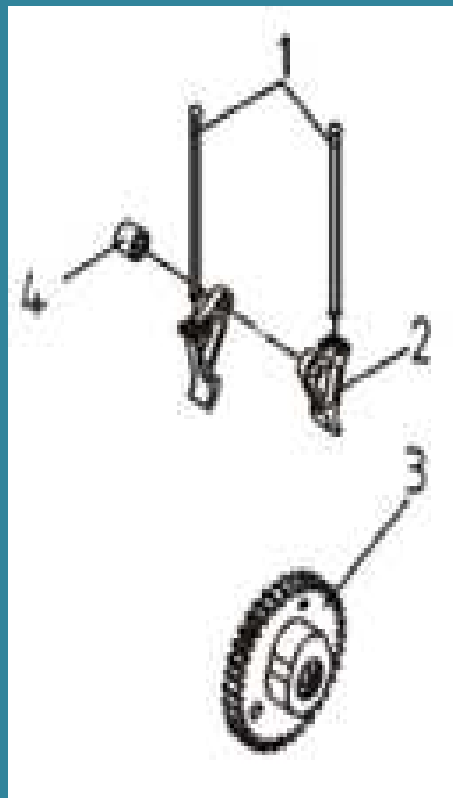
**<5> FLYWHEEL CRANKSHAFT ASSEMBLY**

Ref No	Description	Q'ty
0	FLYWHEEL CRANKSHAFT ASSEMBLY	
1	flywheel nut	1
2	starter ratchet reel	1
3	flywheel	1
4	ball bearing 6203	2
5	key	1
6	crankshaft	1
7	crankshaft timing gear	1

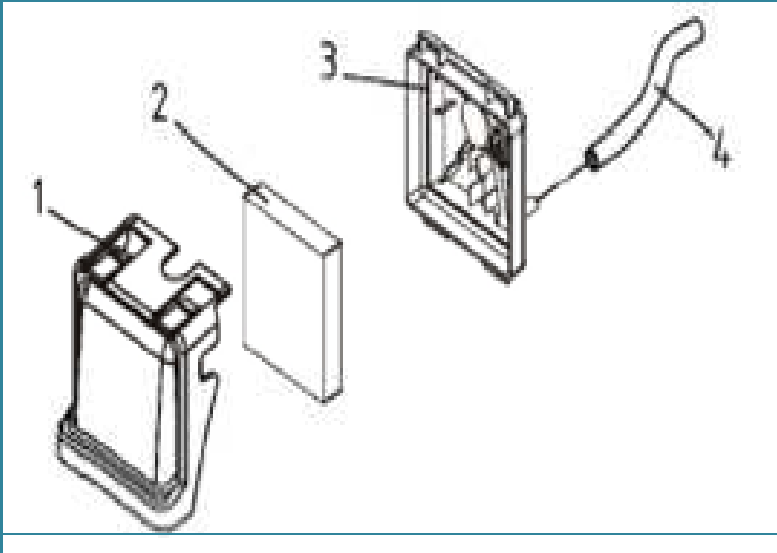


**<6> CAMSHAFT ASSEMBLY**

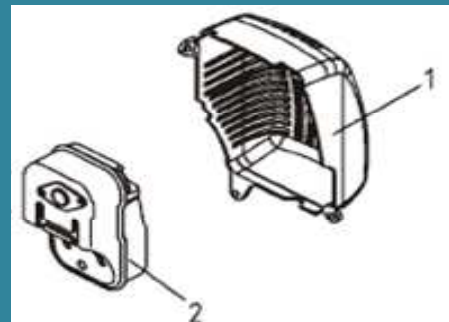
Ref No	Description	Q'ty
0	CAMSHAFT ASSEMBLY	
1	Air valve push rod	2
2	Air valve tappet	2
3	cam and driving gear	1
4	shaft sheath	1



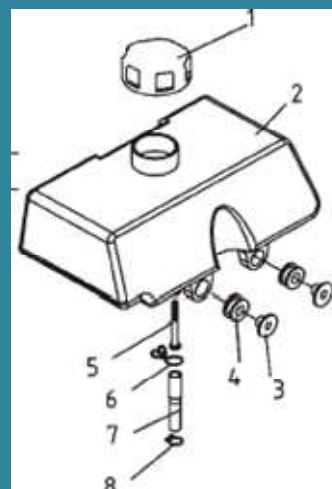
<b>&lt;7&gt; AIR CLEANER ASSEMBLY</b>		
Ref No	Description	Q'ty
0	Air cleaner assembly	
1	Air cleaner cover	1
2	Element	1
3	Lower case of air cleaner	1
4	Ventilating pipe	1



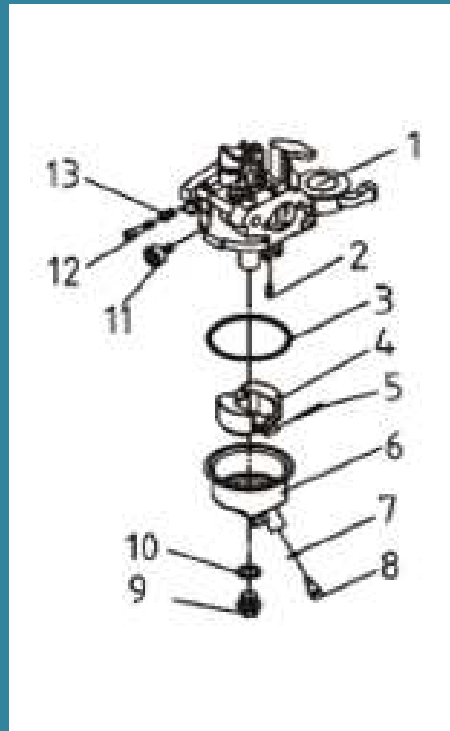
<b>&lt;8&gt; MUFFLER ASSEMBLY</b>		
Ref No	Description	Q'ty
0	MUFFLER ASSEMBLY	
1	Muffler case	1
2	Muffler weldment assem	1
	Muffler redirector	sets



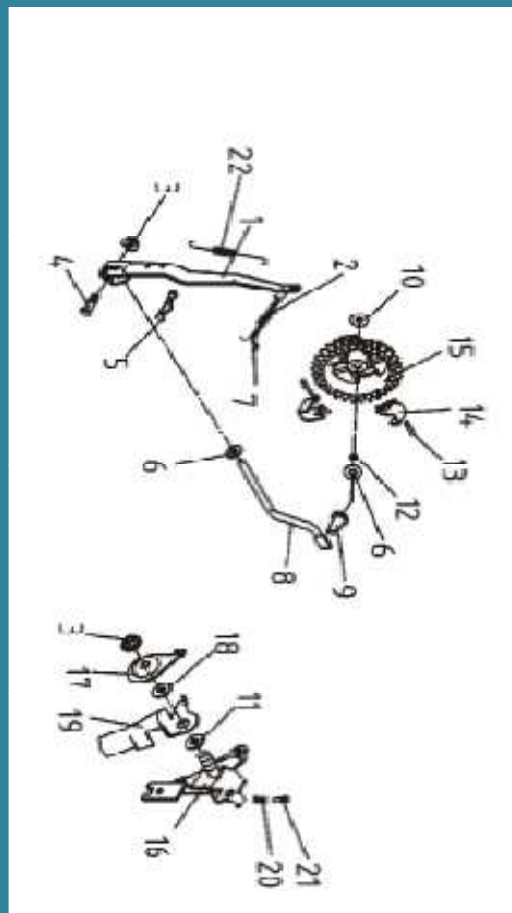
<b>&lt;9&gt; FUEL OIL SYSTEM</b>		
Ref No	Description	Q'ty
0	FUEL OIL SYSTEM	
1	Fuel tank cover assembly	1
2	Fuel tank	1
3	Sheath	2
4	cushion rubber	2
5	filter screen	1
6	Clip hoop ( II )	1
7	fuel filler pipe	1
8	Clip hoop( I )	1



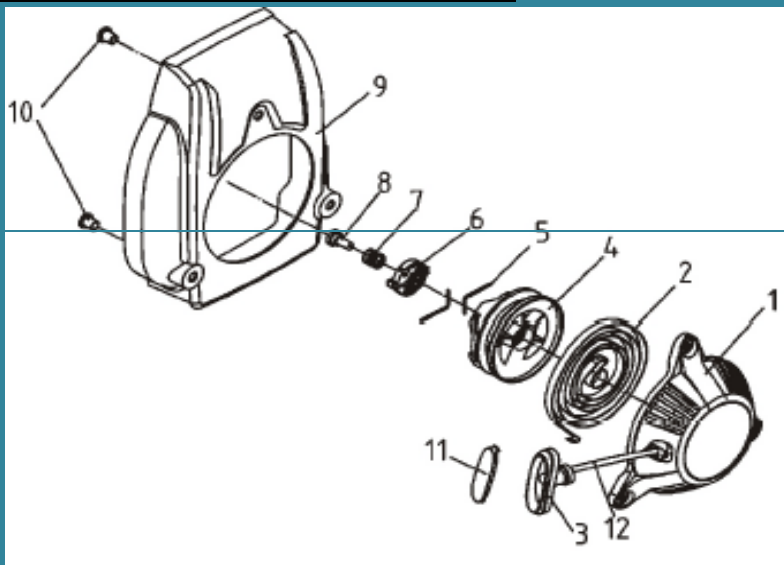
<b>&lt;10&gt; CARBURETOR ASSEMBLY</b>		
Ref No	Description	Q'ty
0	CARBURETOR ASSEMBLY	
1	Carburetor body	1
2	needle valve	1
3	sheet gasket	1
4	Float	1
5	float set shaft	1
6	float chamber outer shell	1
7	gasket	1
8	oil draining scre	1
9	locating bolt	1
10	gasket	1
11	vacuum screw	1
12	Idle regulating screw	1
13	Idle pilot spring	1



<b>&lt;11&gt; GOVERNOR AND CONTROL SYSTEM</b>		
Ref No	Description	Q'ty
0		
1	Governor shaft	1
2	Governor spring	1
3	Nut M6	2
4	square toes bolt	1
5	garter spring	1
6	push rod washer	2
7	governor pull-rod	1
8	Speed-limiting pushing rod	1
9	Sliding bush	1
10	slide sheath washer	1
12	Retainer ring	1
13	flying hammer pin	2
14	flying hammer	2
15	governor gear	1
16	supporting plate weldment assembly	1
17	locating washer	1
18	saddle gasket	1
19	governor handle	1
20	adjusting spring	1
11	friction washer	1
21	screw M5x20	1
22	idle speed adjusting spring	1



<b>&lt;12&gt; Manual Reel &amp; Fan Cover Assembly</b>		
Ref No	Description	Q'ty
0	Manual Reel & Fan Cover Assembly	1
	Manual Reel Assembly	
1	manual reel bottom case	1
2	plane spiral spring	1
3	starter handle	1
4	Reel	1
5	repelling board	1
6	repelling board plate	1
7	Compression spring	1
8	Screw	1
9	air-induced cover	1
10	sheath	1
11	starter handle cover	1
12	rope	1



<b>&lt;13&gt; IGNITION SYSTEM</b>		
Ref No	Description	Q'ty
0	IGNITION SYSTEM	
1	engine switch	1
2	Ignition coil	1
3	Spark plug	1



